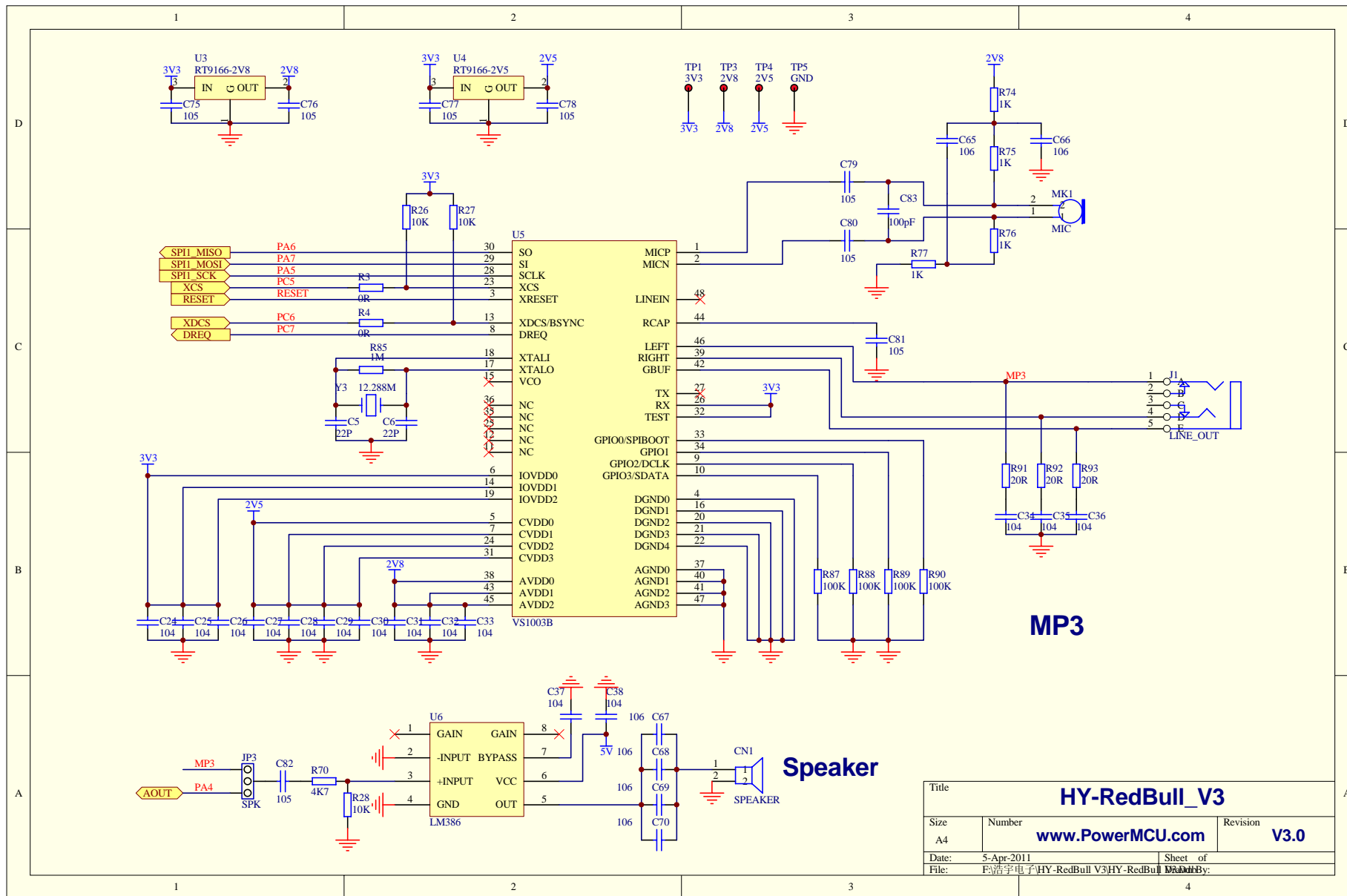


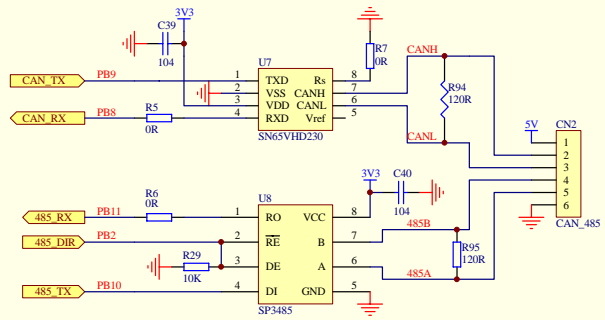
Extension connector

Extension connector

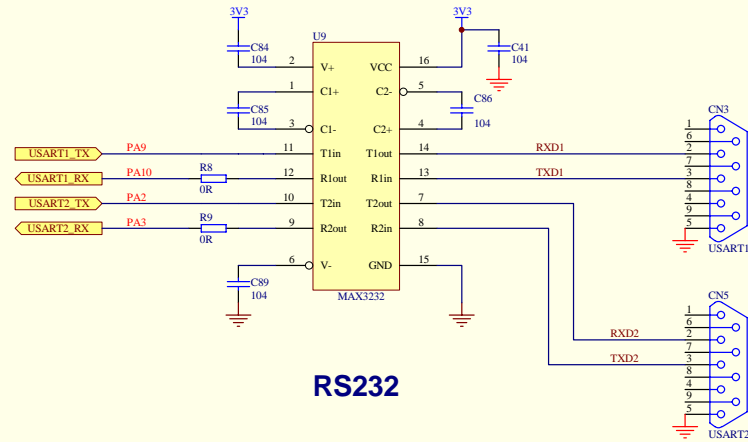
Title		HY-RedBull_V3	
Size	Number	Revision	
B	www.PowerMCU.com	V3.0	
Date:	5-Apr-2011	Sheet of:	1
File:	码清字电子-HY-RedBull V3HY-RedBull V3.doc	Drawn By:	



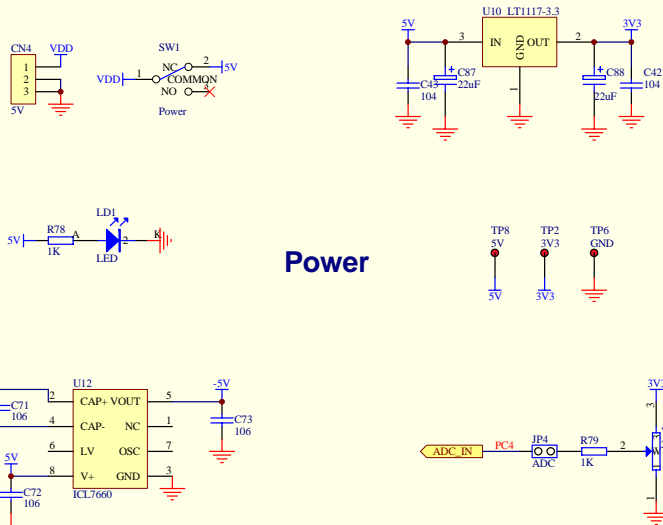
Title			HY-RedBull_V3		
Size	Number	www.PowerMCU.com		Revision	
A4				V3.0	
Date:	5-Apr-2011	Sheet of			
File:	F:\浩宇电子\HY-RedBull V3\HY-RedBull_V3	Drawn By:			



CAN and RS485

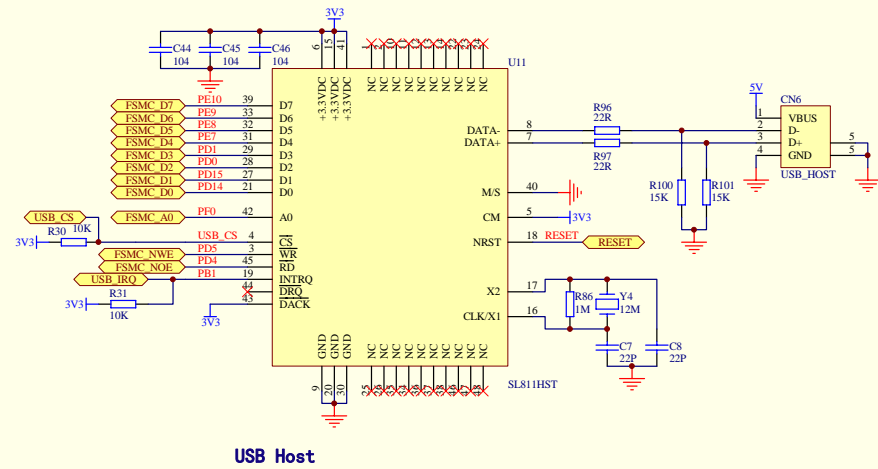


RS232



Power

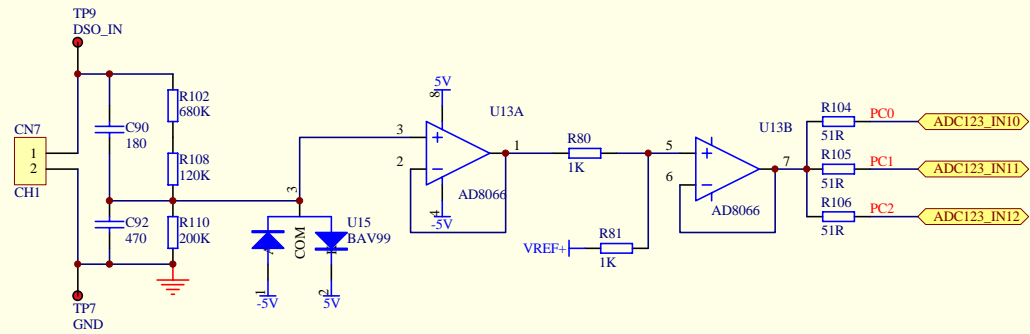
Potentiometer



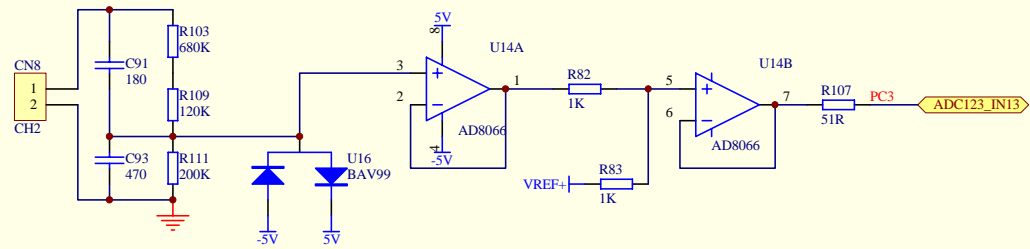
USB Host

Index ADDR: 0x6C80 0000H
Data ADDR: 0x6C80 0002H

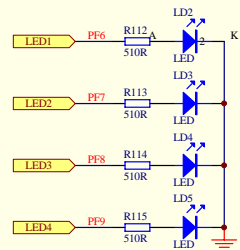
Title		HY-RedBull_V3	
Size	Number	Revision	
B	www.PowerMCU.com	V3.0	
Date:	5-Apr-2011	Sheet of	
File:	科隆字电子\HY-RedBull V3\HY-RedBull_V3.sch	Drawn By:	



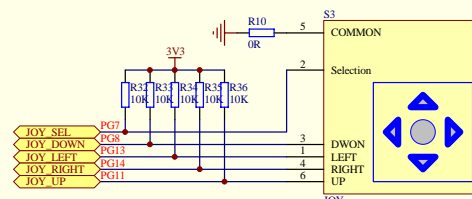
DSO



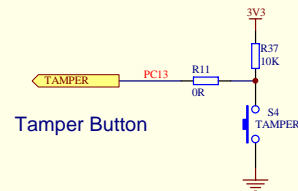
Title			HY-RedBull_V3		
Size	Number	www.PowerMCU.com		Revision	V3.0
Date:	5-Apr-2011		Sheet of		
File:	E:\浩宇电子\HY-RedBull V3\HY-RedBull V3.DSN		Drawn By:		



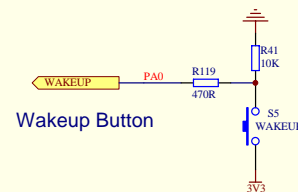
LED



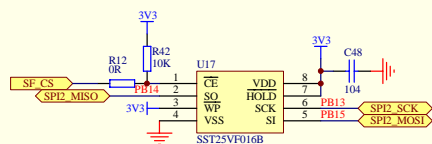
Joystick



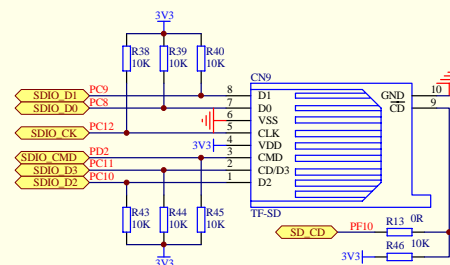
Tamper Button



Wakeup Button

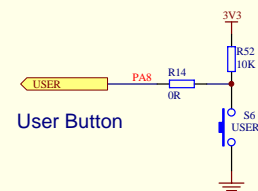


Serial Flash

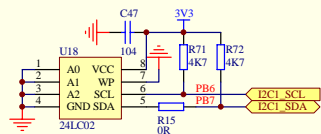


SD Card

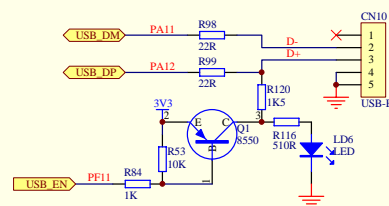
BUTTON



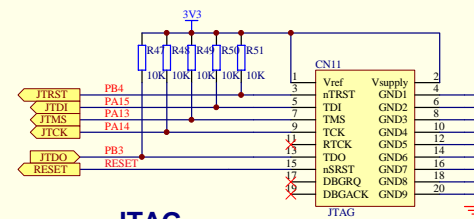
User Button



EEPROM



USB Device



JTAG

Title		HY-RedBull_V3	
Size	Number	www.PowerMCU.com	Revision
B			V3.0
Date:	5-Apr-2011	Sheet of	
File:	科隆宇电子HY-RedBull V3HY-RedBull_V3	Drawn By:	

